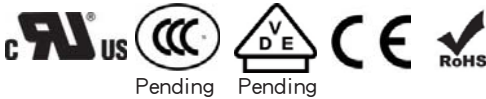


# F11S2

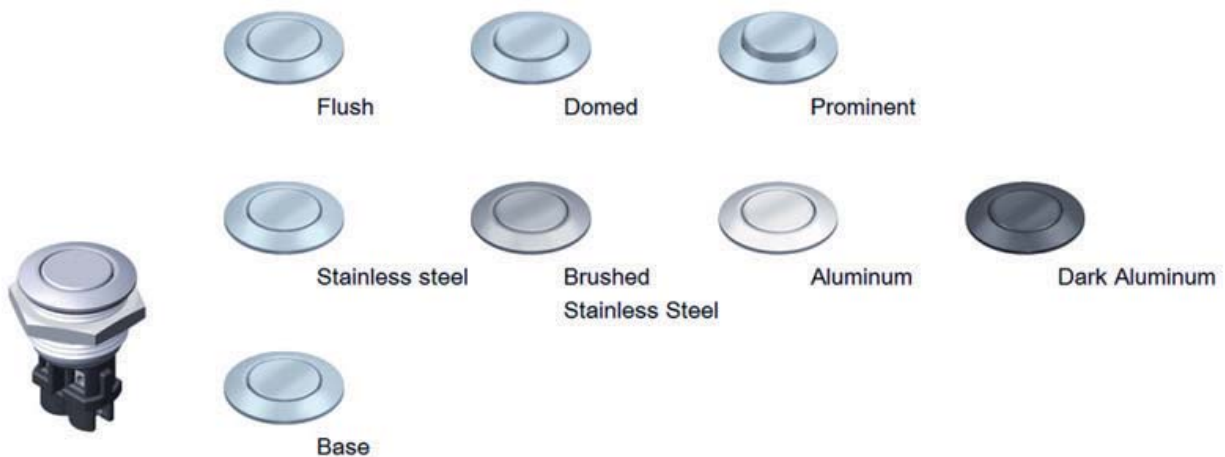


- For a mounting hole diameter of 16 mm
- Contact blocks with silver contacts
- Degree of Protection. IP65
- Three different top type; Flush, Prominent or Domed



Technical data	
Rated Voltage	48V DC
Rated Current	100mA
Dielectric Strength	Between live part and ground: 2,000V AC, 1 min. Between terminals of the same poles: 1,000V AC, 1 min.
Contact Resistance	50 mΩ maximum (initial value)
Insulation Resistance	100 MΩ minimum (500V DC)
Operating Humidity	45 to 85% RH (no condensation)
Storage Temperature	- 30 to +70°C (no freezing)
Operating Temperature	- 25 to +50°C (no freezing)
Vibration Resistance	Operating extremes/Damage limits: 5 to 55 Hz, amplitude 0.5 mm
Shock Resistance	Damage limits: 500 m/s <sup>2</sup> Operating extremes: 200 m/s <sup>2</sup>
Mechanical Life	Momentary: 1,000,000 Maintained: 250,000
Electrical Life	50,000
Degree of Protection	IP 65
Terminal Style	Screw terminal
Weight (approx.)	11/7g (Stainless Steel/Aluminum)

## Selection diagram



# Vandal Resistant Switch

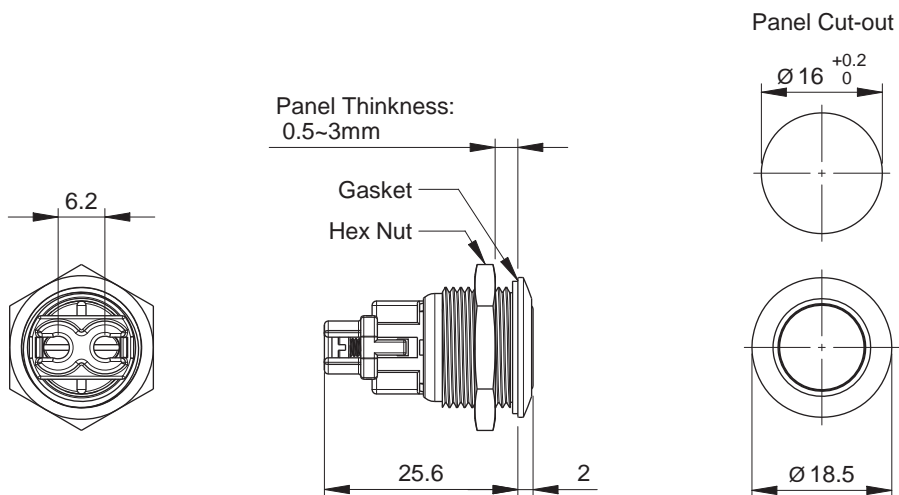
## F11S2 Vandal Resistant Switch

F11S2 Flush Vandal Resistant Switch



Operation	Contacts	Type No.	LED Voltage	▲ LED Color Code	▼ Material/Finish
Momentary	1NO	F11S2-1110NF ▼ 000	-	-	S:Stainless Steel P:Brushed Stainless Steel A:Aluminum B:Dark Aluminum

### ■ Dimensions



# Vandal Resistant Switch

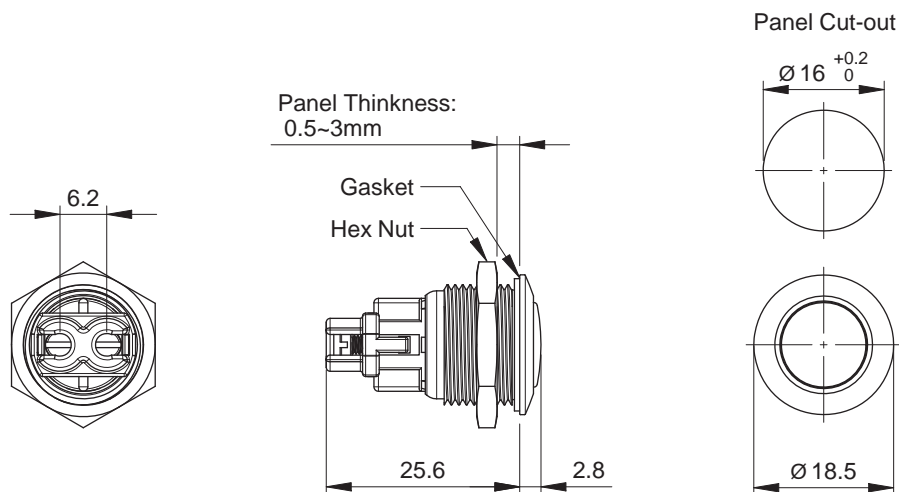
## F11S2 Vandal Resistant Switch

F11S2 Domed Vandal Resistant Switch



Operation	Contacts	Type No.	LED Voltage	▲ LED Color Code	▼ Material/Finish
Momentary	1NO	F11S2-1110ND ▼ 000	-	-	S:Stainless Steel P:Brushed Stainless Steel A:Aluminum B:Dark Aluminum

### ■ Dimensions



# Vandal Resistant Switch

## F11S2 Vandal Resistant Switch

F11S2 Flush Vandal Resistant Switch



Operation	Contacts	Type No.	LED Voltage	▲ LED Color Code	▼ Material/Finish
Momentary	1NO	F11S2-1110NP ▼ 000	-	-	S:Stainless Steel P:Brushed Stainless Steel A:Aluminum B:Dark Aluminum

### ■ Dimensions

